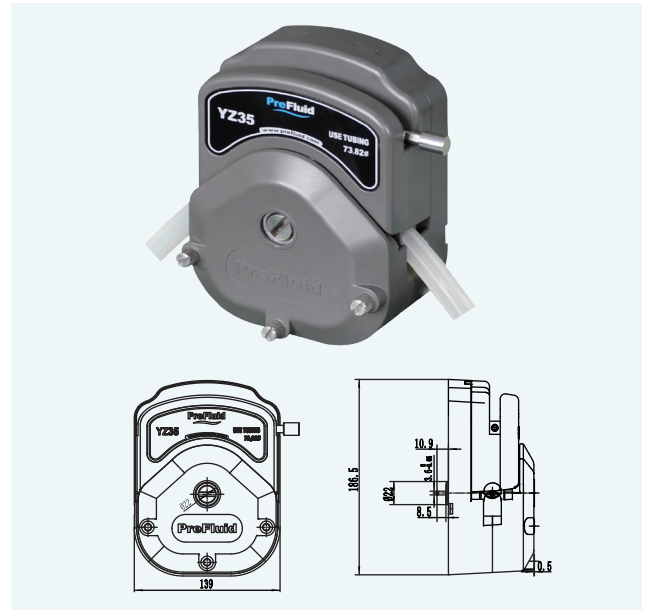


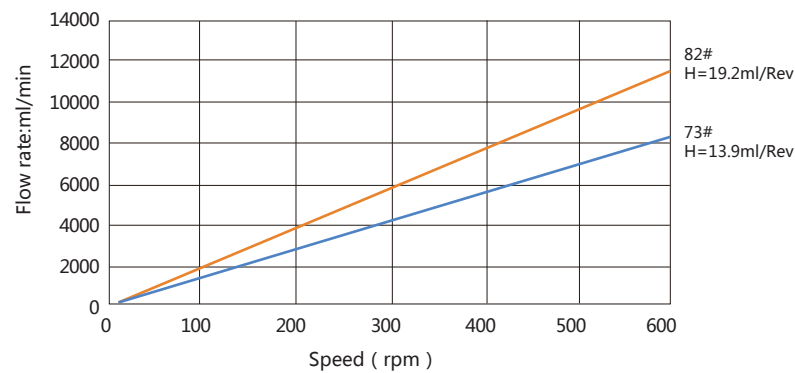
YZ35 Pump Head

Easy load type, housing with aluminium alloy material, rollers with stainless steel, excellent structural performance, high temperature resistance; fit for 3.2mm wall thickness tube, stable operation.

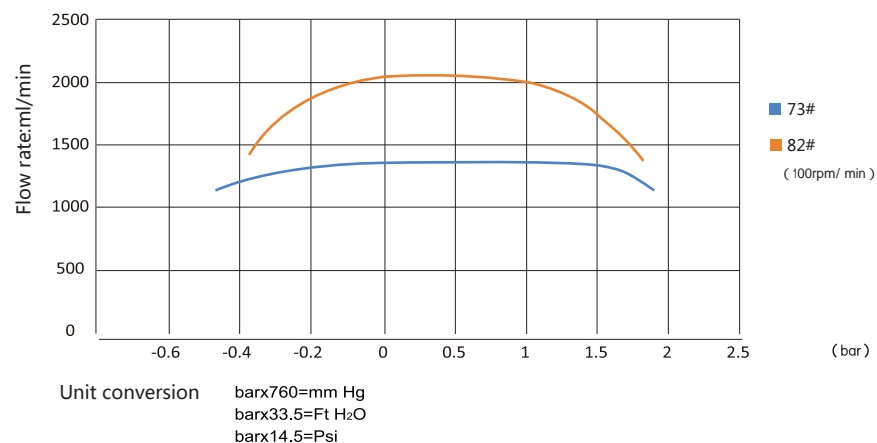
Tube Loading



Flow rate curve



Pressure Curve



Selection Guide

Product cod	Model	Flow range	Tube	Clamps type	Housing materia	Roller material	Rollers number	Gap adjustment	Weigh (kg)
H13512	YZ35	0.014–11.5L/min	73# 82#	Self-adaption	Aluminium alloy	Stainless steel	3	Adjustable	2.8