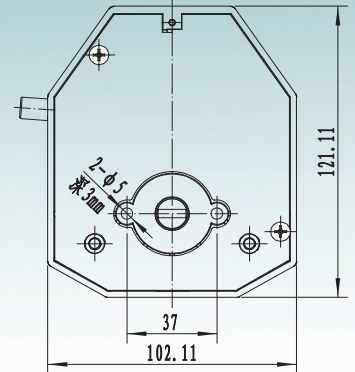
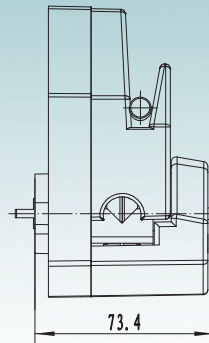
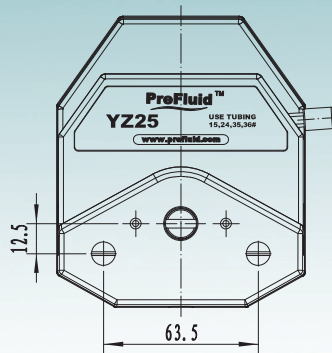


Pump Head-YZ Series

YZ25

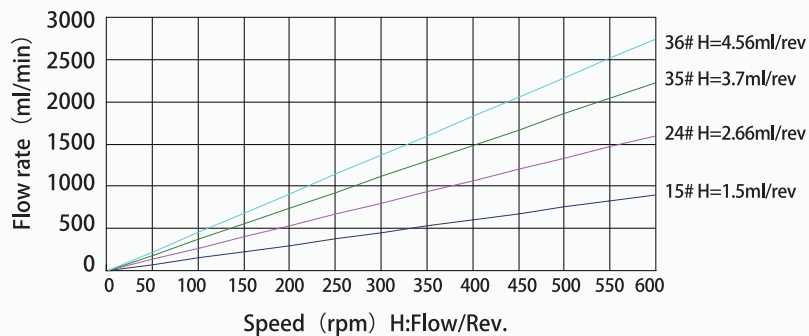
YZ series pump heads are designed for quick tubing load. The tubing gripper is self-adjustable and can be used to fix various kinds of tubing ID. The rollers are made of stainless steel which makes it durable. The housing is made of PPS materials. Work well in various kinds of conditions.



Ordering Information

Product code	Model	Flow rate range	Tubing No.	Gripper	Housing	Roller	Roller number	Clearance	Weight(kg)
H12500	YZ25	0.15-2736ml/min	15# 24# 35# 36#	Self-adjusted	PPS	SS	4	Fixed	0.47

Flow rate graph



Installation instruction

