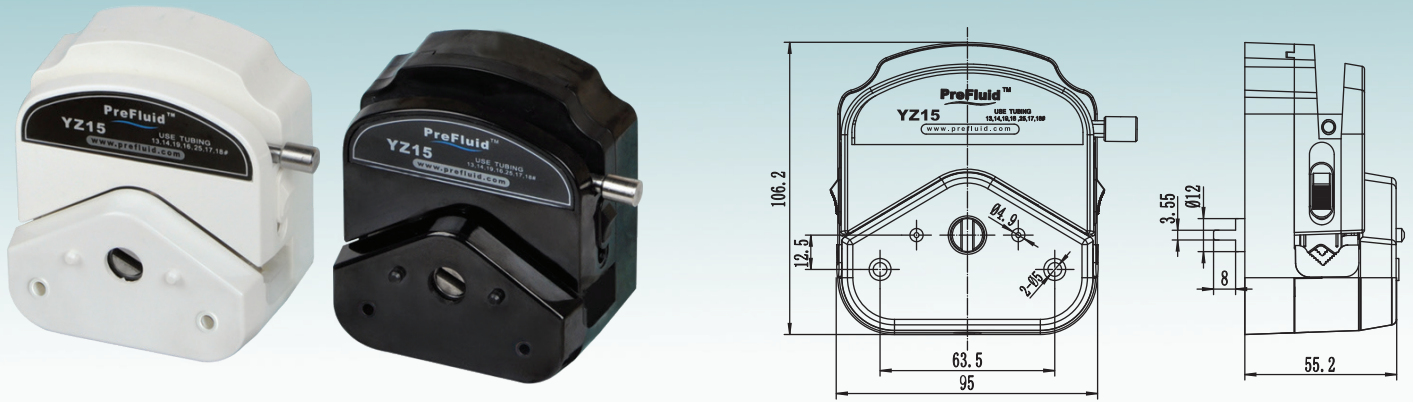


Pump Head-YZ Series

YZ15

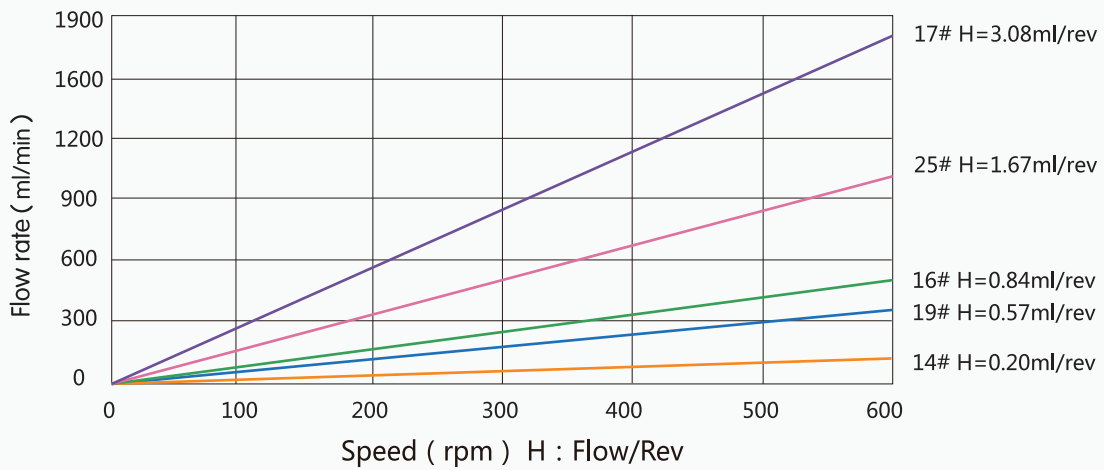
YZ series pump heads are designed for quick tubing load. The tubing gripper is self-adjustable and can be used to fix various kinds of tubing ID. The rollers are made of stainless steel which makes it durable. The housing is made of PSF / PPS / POM / AL materials. Work well in various kinds of conditions.



Ordering Information

Product code	Model	Flow rate range	Tubing No.	Gripper	Housing	Roller	Roller number	Clearance	Weight(kg)
H11502	YZ15	0.015 – 1848ml/min	14# 19# 16#	Self-adjusted	PSF	SS	3	Fixed	0.42
H11500			25# 17#		PSF				0.45

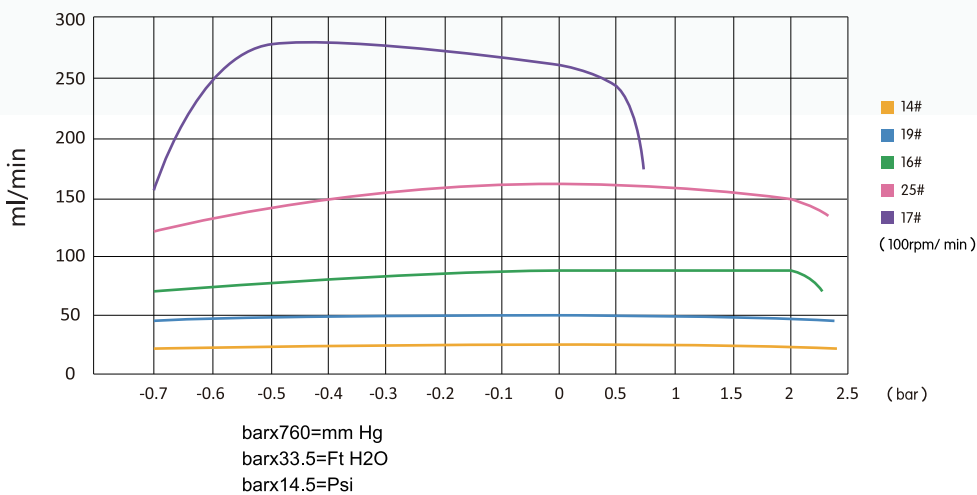
Flow rate graph



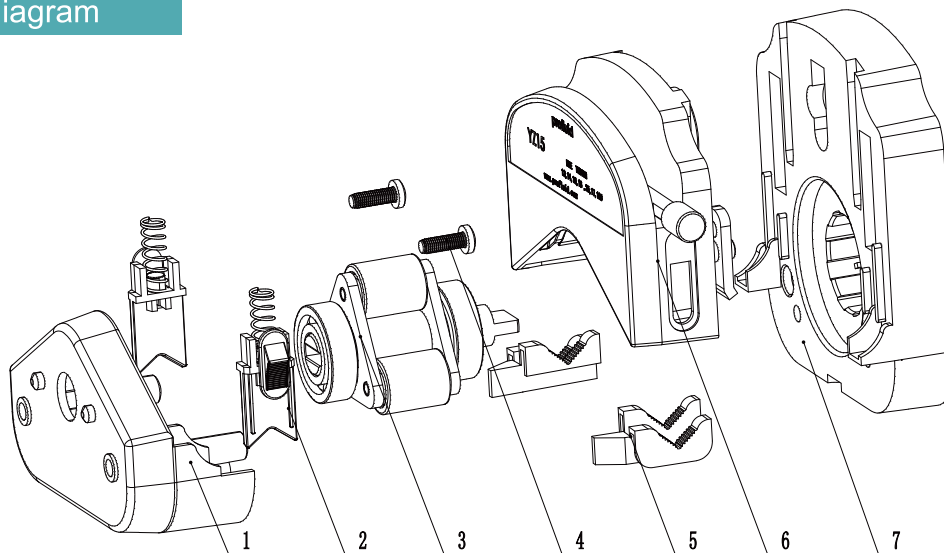
Pressure and flow performance

★ Conditions

Suction curves obtained with zero output pressure / Pressure Curves obtained with zero lift / Pumphead speed 100



Analysis diagram



7	Chassis	1	PC	
6	Upper slide block	1		
5	Tubing gripper	2		
4	Tapping screws	2		M4*13
3	Roller assemblies	1	SUS304	
2	Gripper assemblies	2		
1	Front cover	1	PC	
ITEM	PART NAME	QUANTITY	MATERIAL	SPECIFICATION

Installation instruction



Changzhou PreFluid Technology Co.,Ltd

NO. 8 , Fuqiang Road, New North District, Changzhou, Jiangsu, China
 TEL : 400-111-0186 +86-519-85130613
 FAX : +86-519-85133860
 E-mail: pump@prefluid.com

PreFluid Technology USA Inc

Los Angeles, CA, United States
 E-mail: pump@prefluidusa.com