



M10980

Product Specification

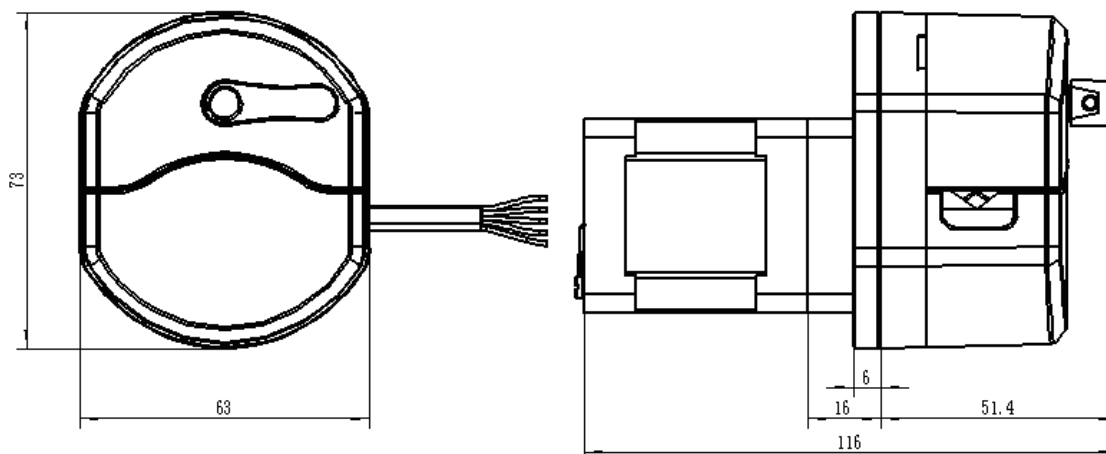
Changzhou Prefluid Technology Co.,Ltd.

Specification

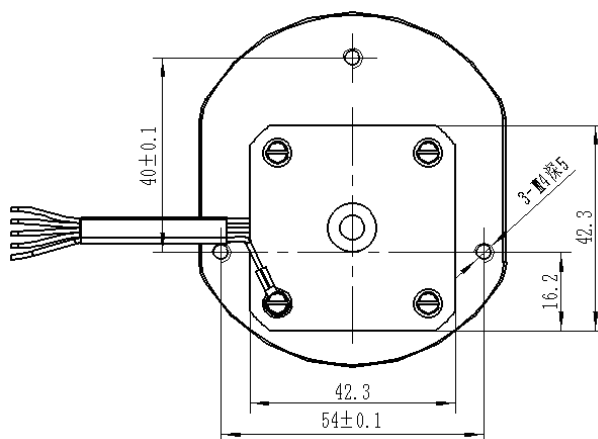
Mode	M10980
Motor	42 Stepper Motor 1.8° /1.68A
Pump head	YZ16(Four rollers)
Housing material	PSF
Applicable tube	13# 16# 19# 25#



Overall Dimension



Mounting Dimension

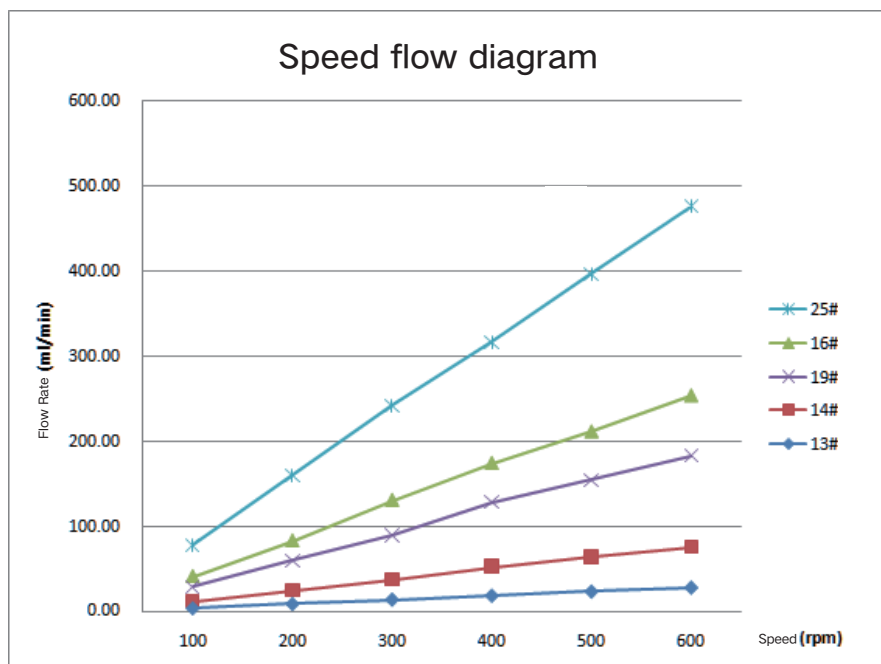


Technical parameters

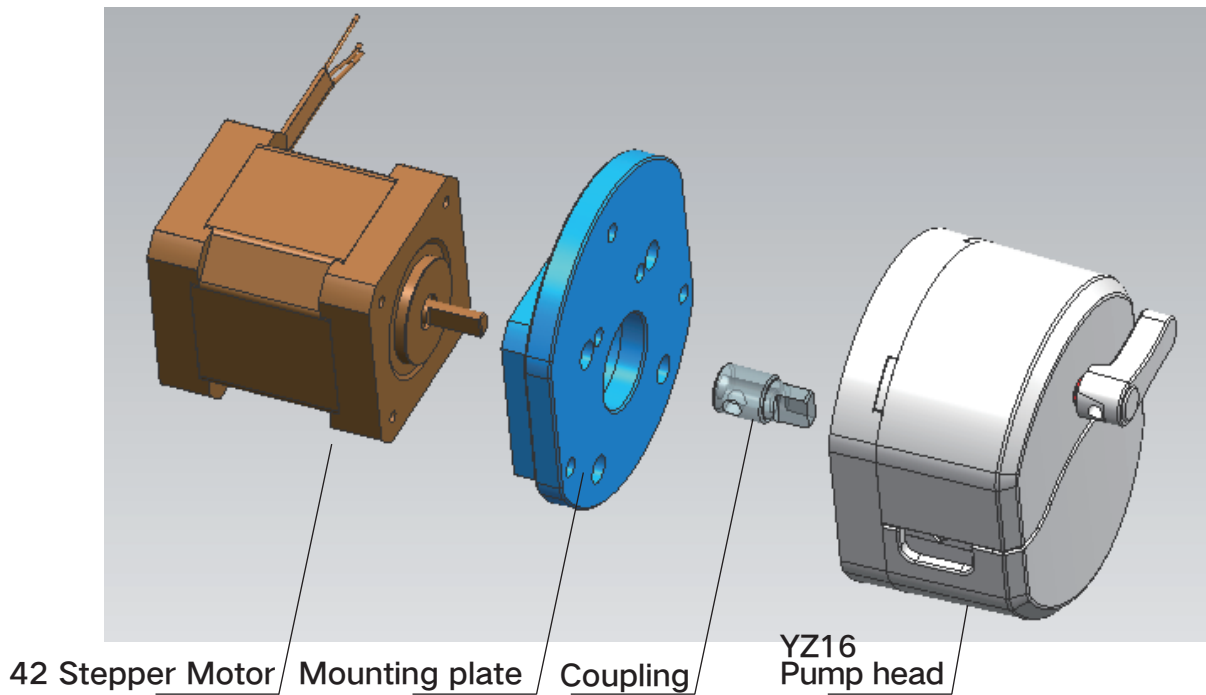
Speed	1~600rpm
Traffic	1~470ml/min
Control	Drive control
Environment	Temperature 0-40°C

Flow Curve

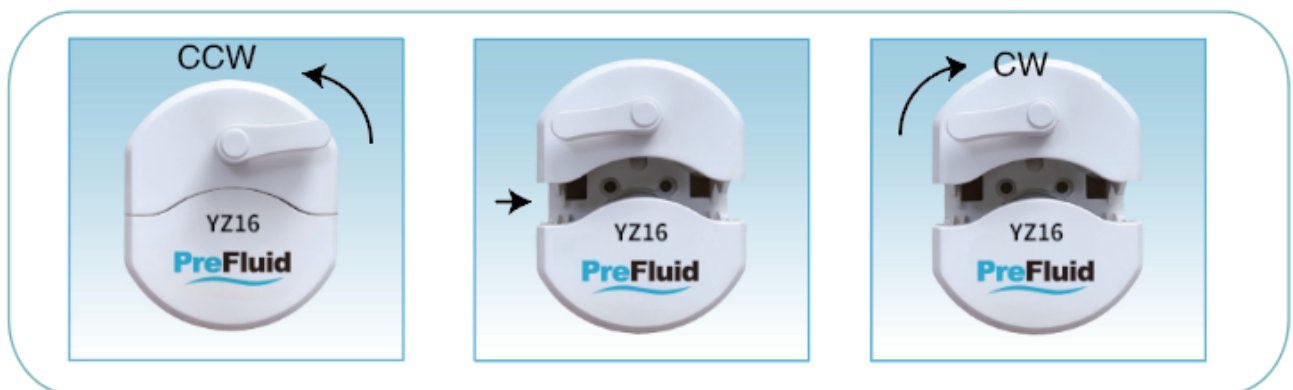
		Flow Rate (ml/min)					
		100	200	300	400	500	600
Y19256	Speed (rpm)	100	200	300	400	500	600
	13#	4.72	9.60	14.59	19.14	23.78	28.25
		4.76	9.60	14.60	19.15	23.80	28.32
		4.75	9.59	14.63	19.16	23.81	28.27
	Average Value	4.74	9.60	14.61	19.15	23.80	28.28
	H (ml/Rev.)	0.05	0.05	0.05	0.05	0.05	0.05
	14#	12.26	25.21	37.41	52.48	63.70	75.37
		12.29	25.20	37.45	52.56	63.74	75.30
		12.31	25.16	37.44	52.67	63.75	75.23
	Average Value	12.29	25.19	37.43	52.57	63.73	75.30
	H (ml/Rev.)	0.12	0.13	0.12	0.13	0.13	0.13
	16#	41.33	83.51	130.95	174.81	212.13	254.49
		41.29	83.59	131.44	174.71	212.18	254.38
		41.37	83.58	131.44	175.12	212.10	254.72
	Average Value	41.33	83.56	131.28	174.88	212.14	254.53
	H (ml/Rev.)	0.41	0.42	0.44	0.44	0.42	0.42
	19#	29.91	60.28	90.20	128.93	155.61	183.71
		29.85	60.36	90.25	129.22	155.02	183.66
		29.85	60.33	90.26	129.27	155.23	183.49
	Average Value	29.87	60.32	90.24	129.14	155.29	183.62
H (ml/Rev.)	0.30	0.30	0.30	0.32	0.31	0.31	
25#	78.32	159.93	242.14	317.06	397.31	476.77	
	78.27	160.01	241.77	316.16	396.96	476.01	
	78.17	159.69	241.49	316.81	396.64	476.22	
Average Value	78.25	159.88	241.80	316.68	396.97	476.33	
H (ml/Rev.)	0.78	0.80	0.81	0.79	0.79	0.79	



Analytical Diagram



Tube assembly



Tle : 400-111-0186 +86 519 85118863 Fax: +86 519 85133860
Email : pump@prefluid.com