

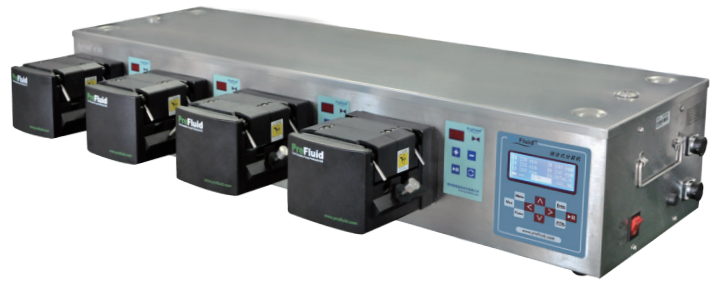


F4–WF350–PF246
Filling Machine
(F43500)

Product Specifications

Overview

Product code	F43500
Standard Configuration	Drive WF350
	Pump head PF246
Model	F4-WF350-PF246
Pump code	H52400
Tubing	ϕ 0.8x2.4 ϕ 1.6x2.4 ϕ 2.4x2.4 ϕ 3.1x2.4 ϕ 4.8x2.4 ϕ 6.4x2.4 ϕ 8x2.4 ϕ 9.6x2.4
Dosing accuracy	$\leq \pm 0.5\%$



Recommended dosing volume
 0.5ml, 2ml, 5ml, 10ml, 20ml, 60ml, 130ml, 250ml

features

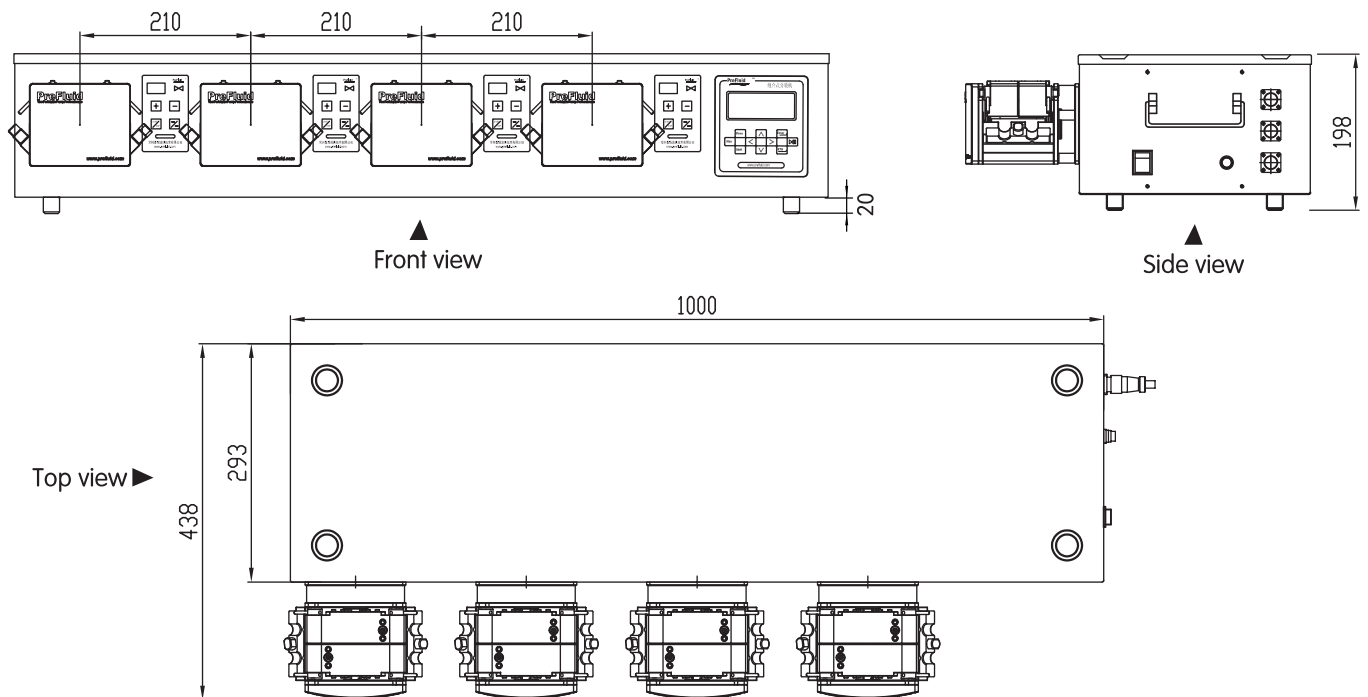
Drive:

Equipped with DC brushless motor, servo drive, ultra quiet running, free maintenance, central microprocessor command control, full pedometer (angle) running, minimum control angle 1°, adjustable range 180–36000°, pump head: speed 1–350RPM, fluidization design of the metal forming casing.

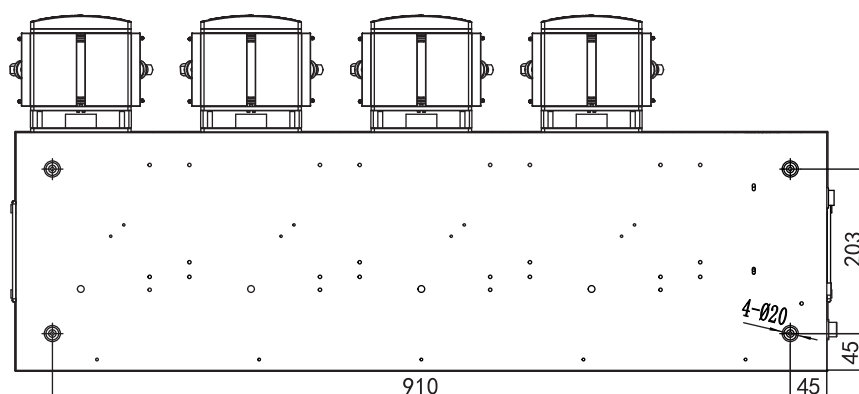
Pump head:

Equipped with PF246 mental dual channel pump head, which is made of alloy aluminum oxide material. The roller components are consist of six stainless rotors, the surface of the rotors is well-polished. The tubing in the pump head uses Y type structure to achieve the low pulsation and high precision flow control.

Dimension



Location and Dimension of bottom machine feet



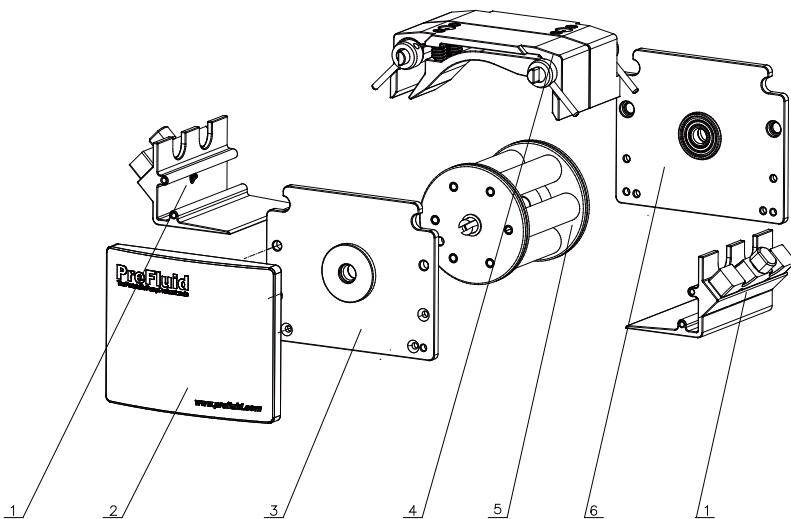
Specifications

Operation angle range	180-36000°
Angular resolution	1°
Speed range	1~350rpm
Speed resolution	1rpm
External control	Start/stop, no bottle filling stop signal input
Power supply	AC220V ± 10% 50/60Hz
Working environment	Temperature 0~50°C, relative humidity < 80%
Dimensions	1220mmx440mmx210mm
Drive weight	53kg

Setting details

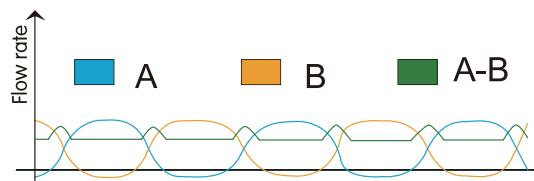
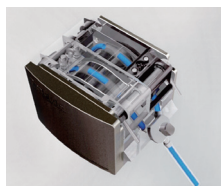
Name	Code	Number
Pump head	PF246	4
Drive	Servo drive	4
Motor	DC serve	4

PF246 Structure

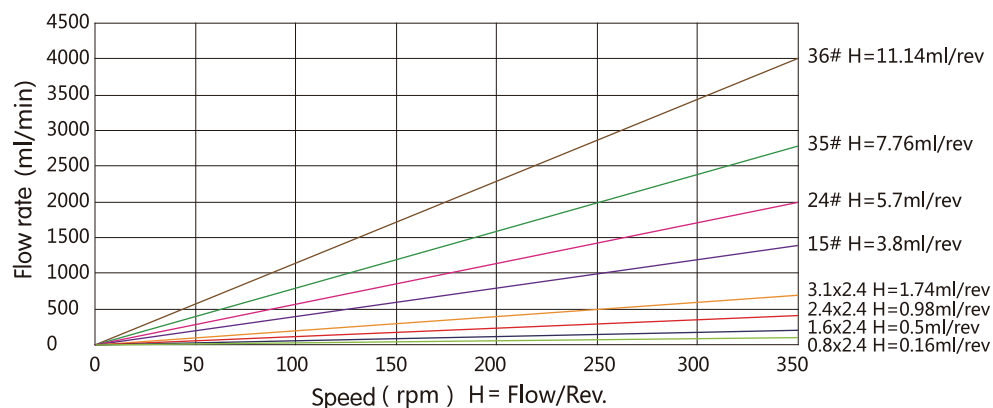


6	Rear retainer	1		
5	Roller assembly	1		
4	Upper press block asse	1		
3	Front retainer	1		
2	Front shell	1		
1	Holder	2		
ITEM	PART NAME	QUANTITY	MATERIAL	SPECIFICATION

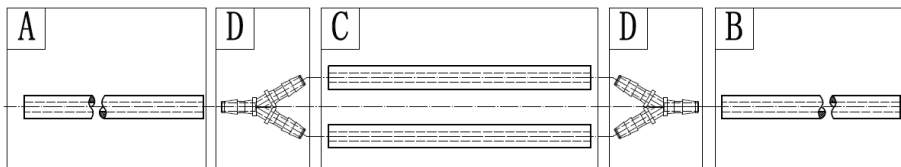
Pulse weakened schematic



PF246 flow curve



Technical data for reference



Dosing vol.	Tubing system type	A	B	C		D	
		Liquid inlet tube Ordinary silica gel Specification	Liquid outlet tube Import tube : Pharmed Specification	Peristaltic pump tube Tygon3350 Specification	Quantity	Tee joint Specification	Quantity
0.5~2ml	PF246-1.6	2.4*1.6	2.4*1.6	φ1.6*2.4	2 pcs	5/32	2 pcs
2~5ml	PF246-2.4	3.1*1.6	3.1*1.6	φ2.4*2.4	2 pcs	5/32	2 pcs
5~10ml	PF246-3.1	4.8*1.6	4.8*1.6	φ3.1*2.4	2 pcs	3/16	2 pcs
10~20ml	PF246-4.8	6.4*1.6	6.4*1.6	φ4.8*2.4	2 pcs	1/4	2 pcs
20~50ml	PF246-6.4	7.9*2.4	7.9*2.4	φ6.4*2.4	2 pcs	1/4	2 pcs
50~100ml	PF246-7.9	9.7*2.4	9.7*2.4	φ7.9*2.4	2 pcs	3/8	2 pcs
100~250ml	PF246-9.7	9.7*2.4	9.7*2.4	φ9.7*2.4	2 pcs	3/8	2 pcs

Tube Loading



TEL: 400-111-0186 +86 519 85118863
E-mail: Pump@prefluid.com

FAX: +86 519 85133860
ADD: No. 8, Fuqiang Road, Xuejia Town, New North District, Changzhou, Jiangsu, China